



JRD-1600DRT **RADIAL DRILL PRESS**

JRD-1600DRT...3~400V, 50Hz

PARTS LIST



JPW Tool Group Hong Kong Limited

98 Granville Road, Tsimshatsui East, Kowloon, Hong Kong, PRC
www.jettools.com

Импортер в РФ: ООО «ИТА Технолоджи»

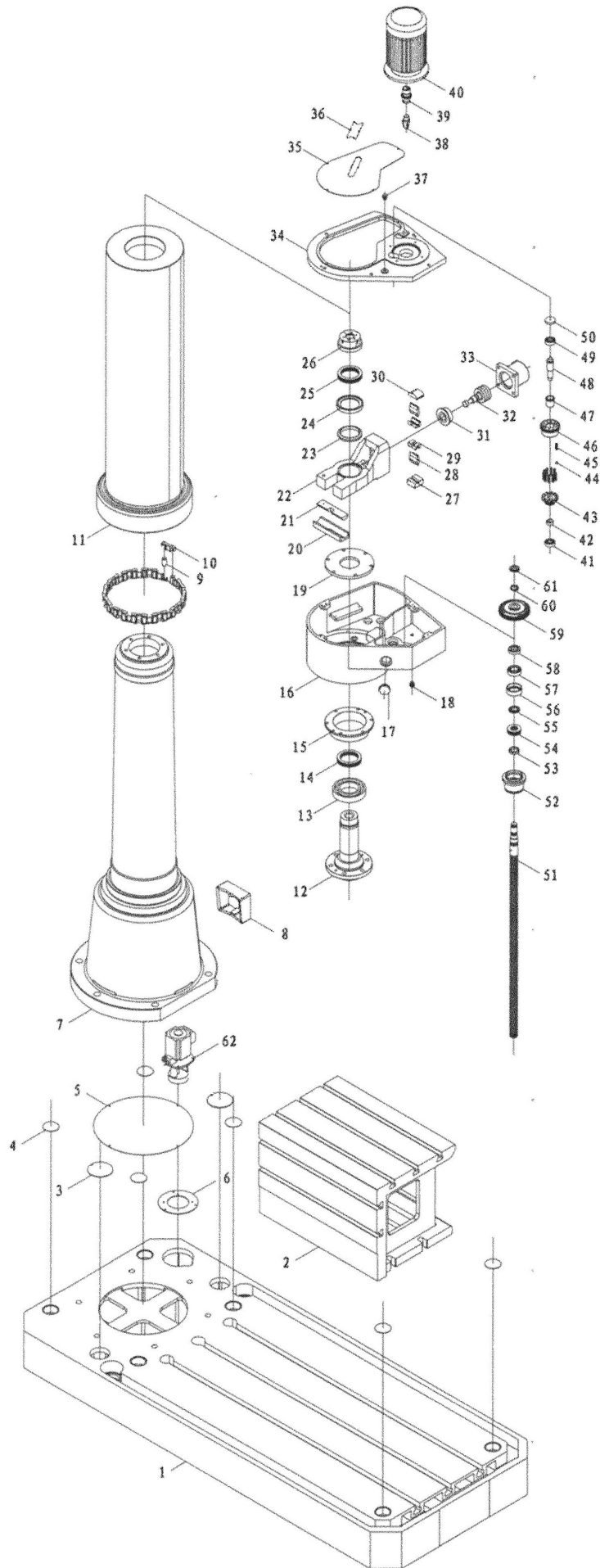
105082, Москва, Переведеновский пер., д. 17
www.jettools.ru

Made in PRC / Сделано в КНР

P-50000983T

2024-10

I. Base and worktable and column

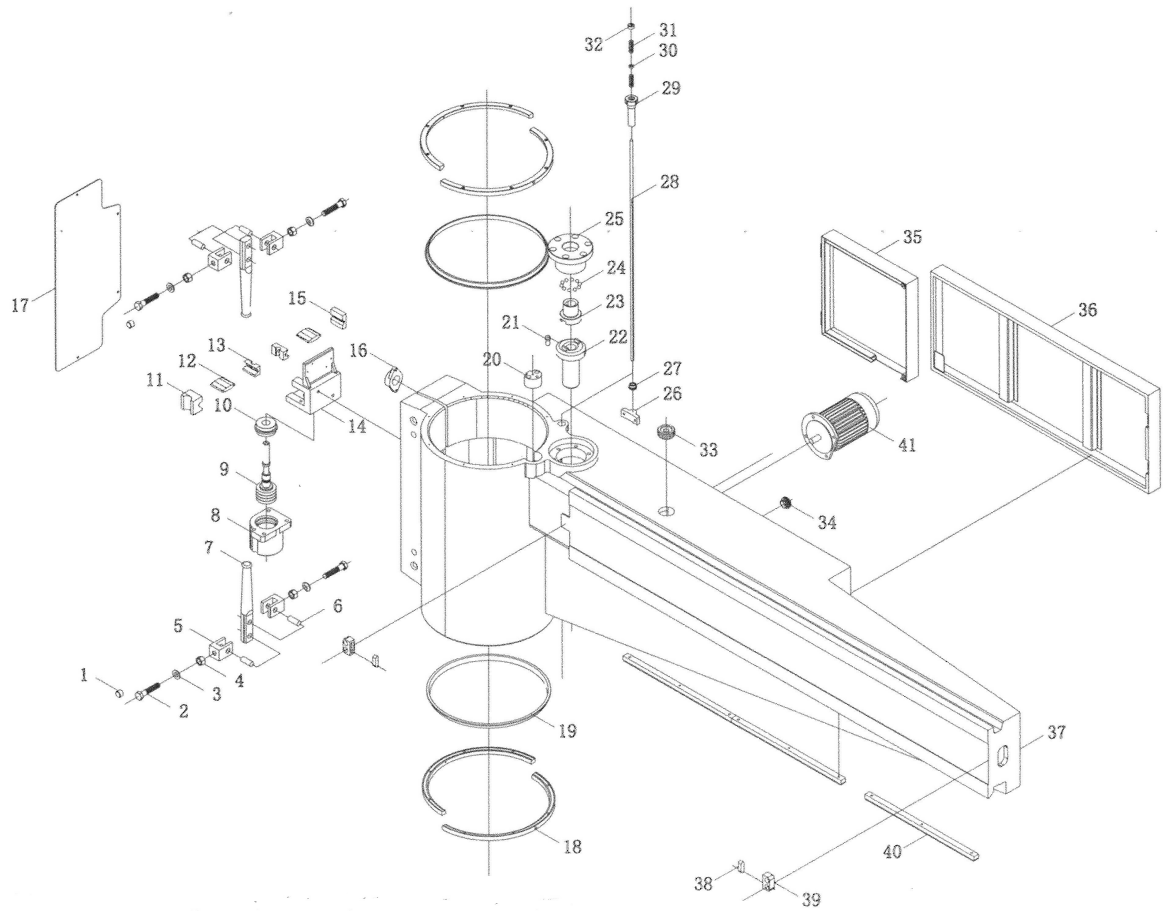


I. Base and worktable and column Parts List

Index No.	Part No.	Description	Size	Qty.
1	JRD1600DRT001	Base		1
2	JRD1600DRT002	Worktable		1
3	JRD1600DRT003	Cover		2
4	JRD1600DRT004	Cover		6
5	JRD1600DRT005	Cover		1
6	JRD1600DRT006	Installation board		1
7	JRD1600DRT007	Column (inside)		1
8	JRD1600DRT008	Incoming packet		1
9	JRD1600DRT009	Rolling ball		24
10	JRD1600DRT010	Shelf		24
11	JRD1600DRT011	Column (outside)		1
12	JRD1600DRT012	Trabeation		1
13	JRD1600DRT013	Bearing	217	1
14	JRD1600DRT014	Bearing	8117	1
15	JRD1600DRT015	Sleeve		1
16	JRD1600DRT016	End cap		1
17	JRD1600DRT017	Oil window	(32) M42×1.5	1
18	JRD1600DRT018	Hexagon oil plug	M16×1.5	1
19	JRD1600DRT019	Spring		1
20	JRD1600DRT020	Cushion block		1
21	JRD1600DRT021	Slider		1
22	JRD1600DRT022	Lever		1
23	JRD1600DRT023	Washer		1
24	JRD1600DRT024	Washer		1
25	JRD1600DRT025	Bearing	8117	1
26	JRD1600DRT026	Nut		1
27	JRD1600DRT027	Pressing block		1
28	JRD1600DRT028	Lozenge block		2
29	JRD1600DRT029	Pressing block		2
30	JRD1600DRT030	Half-round block		1
31	JRD1600DRT031	Sleeve		1
32	JRD1600DRT032	Piston		1
33	JRD1600DRT033	Oil cylinder		1
34	JRD1600DRT034	Cover		1
35	JRD1600DRT035	Cover		1
36	JRD1600DRT036	Cover		1
37	JRD1600DRT037	Oil plug	M16×1.5	1
38	JRD1600DRT038	Splash		1
39	JRD1600DRT039	Gear		1
40	JRD1600DRT040	Lift Motor	YU990S4A	1
41	JRD1600DRT041	Bearing	204	1
42	JRD1600DRT042	Washer		1
43	JRD1600DRT043	Clutch		1
44	JRD1600DRT044	Steel Ball	11	10
45	JRD1600DRT045	Spring	1.6×8×35	10
46	JRD1600DRT046	Gear		1
47	JRD1600DRT047	Sleeve		1
48	JRD1600DRT048	Shaft		1
49	JRD1600DRT049	Bearing	204	1
50	JRD1600DRT050	Plug		1

Index No.	Part No.	Description	Size	Qty.
51	JRD1600DRT051	Leadscrew		1
52	JRD1600DRT052	Bearing seat		1
53	JRD1600DRT053	Washer		1
54	JRD1600DRT054	Bearing	8207	1
55	JRD1600DRT055	Washer		1
56	JRD1600DRT056	Bearing sleeve		1
57	JRD1600DRT057	Bearing	206	1
58	JRD1600DRT058	Nut		1
59	JRD1600DRT059	Gear		1
60	JRD1600DRT060	Washer	27	1
61	JRD1600DRT061	Nut	M27×1.5	1
62	JRD1600DRT062	Pump motor	ALB-150HF-50	1

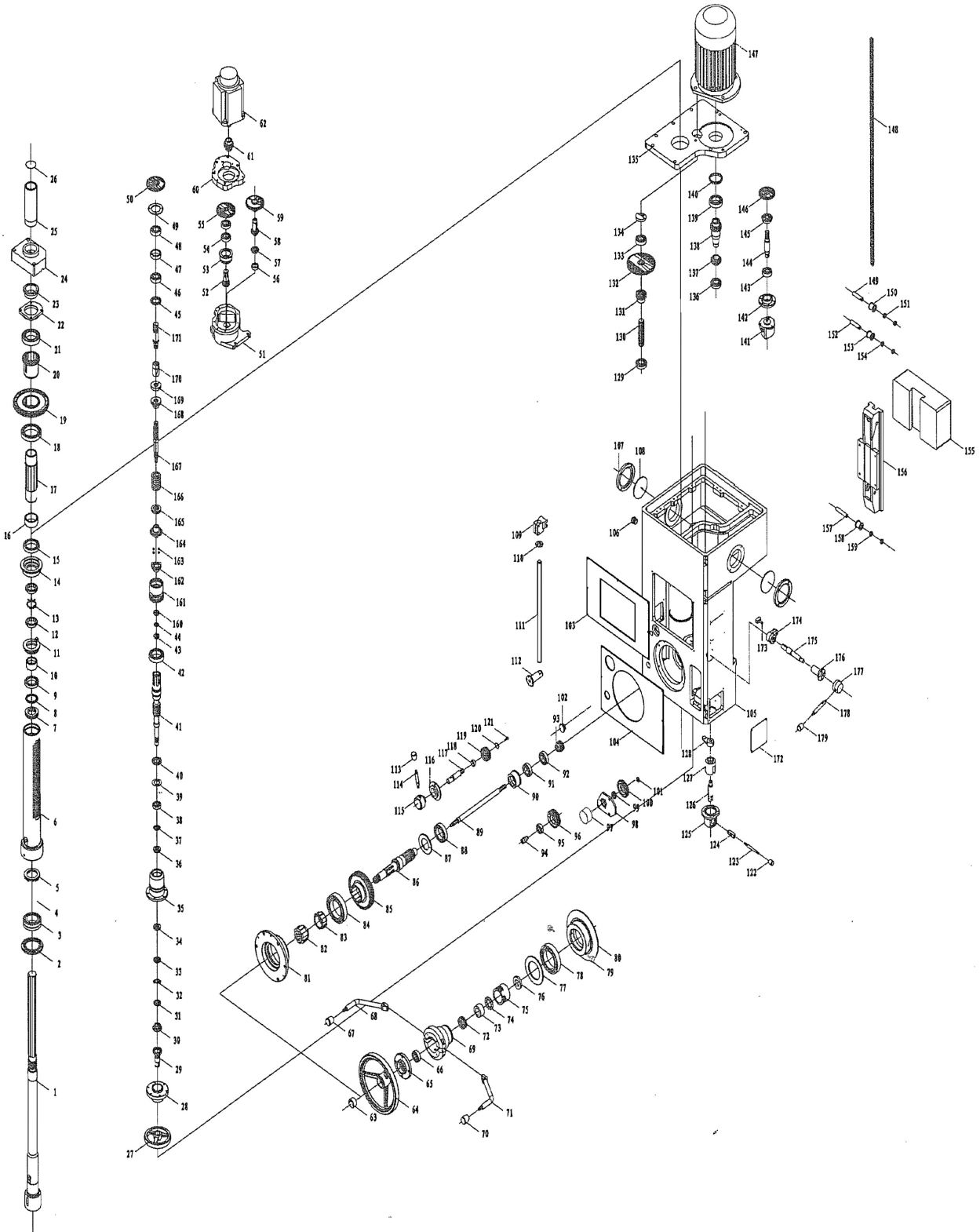
II. Radial



II. Radial Parts List

Index No.	Part No.	Description	Size	Qty.
1	JRD1600DRT063	Plug		2
2	JRD1600DRT064	Hexagon bolt	M16×75	4
3	JRD1600DRT065	Washer	16	4
4	JRD1600DRT066	Hexagon nut	M16	4
5	JRD1600DRT067	Lever		4
6	JRD1600DRT068	Pin	16h8×40	4
7	JRD1600DRT069	Clamping lever		2
8	JRD1600DRT070	Oil cylinder		1
9	JRD1600DRT071	Piston		1
10	JRD1600DRT072	Sleeve		1
11	JRD1600DRT073	Block		1
12	JRD1600DRT074	Lozenge block		2
13	JRD1600DRT075	Pressing block		2
14	JRD1600DRT076	Oil cylinder sheft		1
15	JRD1600DRT077	Pressing block		1
16	JRD1600DRT078	Installation board		1
17	JRD1600DRT079	Cover		1
18	JRD1600DRT080	Cast iron ring		4
19	JRD1600DRT081	Rubber ring		2
20	JRD1600DRT082	Guide way block		1
21	JRD1600DRT083	Pin		1
22	JRD1600DRT084	Nut		1
23	JRD1600DRT085	Nut		1
24	JRD1600DRT086	Steel ball	10	17
25	JRD1600DRT087	Cover		1
26	JRD1600DRT088	Limited block		1
27	JRD1600DRT089	Sleeve		1
28	JRD1600DRT090	Lever		1
29	JRD1600DRT091	Sleeve		1
30	JRD1600DRT092	Washer		1
31	JRD1600DRT093	Spring	1.2×10×45	2
32	JRD1600DRT094	Screw bolt		1
33	JRD1600DRT095	Plug		1
34	JRD1600DRT096	Oil window	(20)M27×1.5	1
35	JRD1600DRT097	Cover		1
36	JRD1600DRT098	Door of electric box		1
37	JRD1600DRT099	Radial		1
38	JRD1600DRT100	Damping block		2
39	JRD1600DRT101	Limited block		2
40	JRD1600DRT102	Gear rack		3
41	JRD1600DRT103	Oil Pump motor		1

III. Spindle Box



III. Spindle Box Parts List

Index No.	Part No.	Description	Size	Qty.
1	JRD1600DRT104	Spindle		1
2	JRD1600DRT105A	Bearing cover		1
	JRD1600DRT105B	Slotted cheese head screws	M4x10	6
3	JRD1600DRT106	Double row cylindrical roller bearings		1
4	JRD1600DRT107	Washer		1
5	JRD1600DRT108	Bearing	D8111	1
6	JRD1600DRT109	Spindle sleeve		1
7	JRD1600DRT110	Bearing		1
8	JRD1600DRT111	Washer		1
9	JRD1600DRT112	Deep groove ball bearings	D1000909	1
10	JRD1600DRT113	Sleeve		1
11	JRD1600DRT114	Chain mounting bracket		1
12	JRD1600DRT115	Round nut		2
13	JRD1600DRT116	Tab washers for round nut	42	1
14	JRD1600DRT117A	bearing block		1
	JRD1600DRT117B	Skeleton lip seal	B55x72X8	1
	JRD1600DRT117C	O RING	90x3.1	1
15	JRD1600DRT118	Deep groove ball bearings	1000911	1
16	JRD1600DRT119	Sleeve		1
17	JRD1600DRT120	Spline quill		1
18	JRD1600DRT121A	Deep groove ball bearings	1000914	1
	JRD1600DRT121B	Circlip for haft	70	1
19	JRD1600DRT122	Gear		1
20	JRD1600DRT123	Gear		1
21	JRD1600DRT124	Deep groove ball bearings	111	1
22	JRD1600DRT125A	Bearing cover		1
	JRD1600DRT125B	Slotted cheese head screws	M5x12	4
23	JRD1600DRT126A	Signal Panel		1
	JRD1600DRT126B	Slotted tapered screw	M5x10	1
24	JRD1600DRT127A	Cover		1
	JRD1600DRT127B	hexagonal socket head cascrew	M8x55	3
	JRD1600DRT127C	Slotted tapered screw	M6x12	1
25	JRD1600DRT128	Sleeve		1
26	JRD1600DRT129	Sleeve		1
27	JRD1600DRT130A	Handwheel		1
	JRD1600DRT130B	Key	5h9x5x16	1
	JRD1600DRT130C	Circlip for haft	22	1
28	JRD1600DRT131A	Cover		1
	JRD1600DRT131B	powder metallurgy bearing	25C7x30x25	1
	JRD1600DRT131C	cylindrical helical compression spring	0.8x4x12	1
	JRD1600DRT131D	Flat slotted set screws	M6x8	1
	JRD1600DRT131E	Steel Ball	5	1
	JRD1600DRT131F	hexagonal socket head cascrew	M6x30	6
29	JRD1600DRT132	Fine-tune the clutch		1
30	JRD1600DRT133A	Fine-tune the clutch		1
	JRD1600DRT133B	Circlip for haft	18	1
31	JRD1600DRT134	Round nut	M20x1.5	1
32	JRD1600DRT135	Tab washers for round nut	20	1
33	JRD1600DRT136	Round nut	M20x1.5	1
34	JRD1600DRT137	Bearing		1

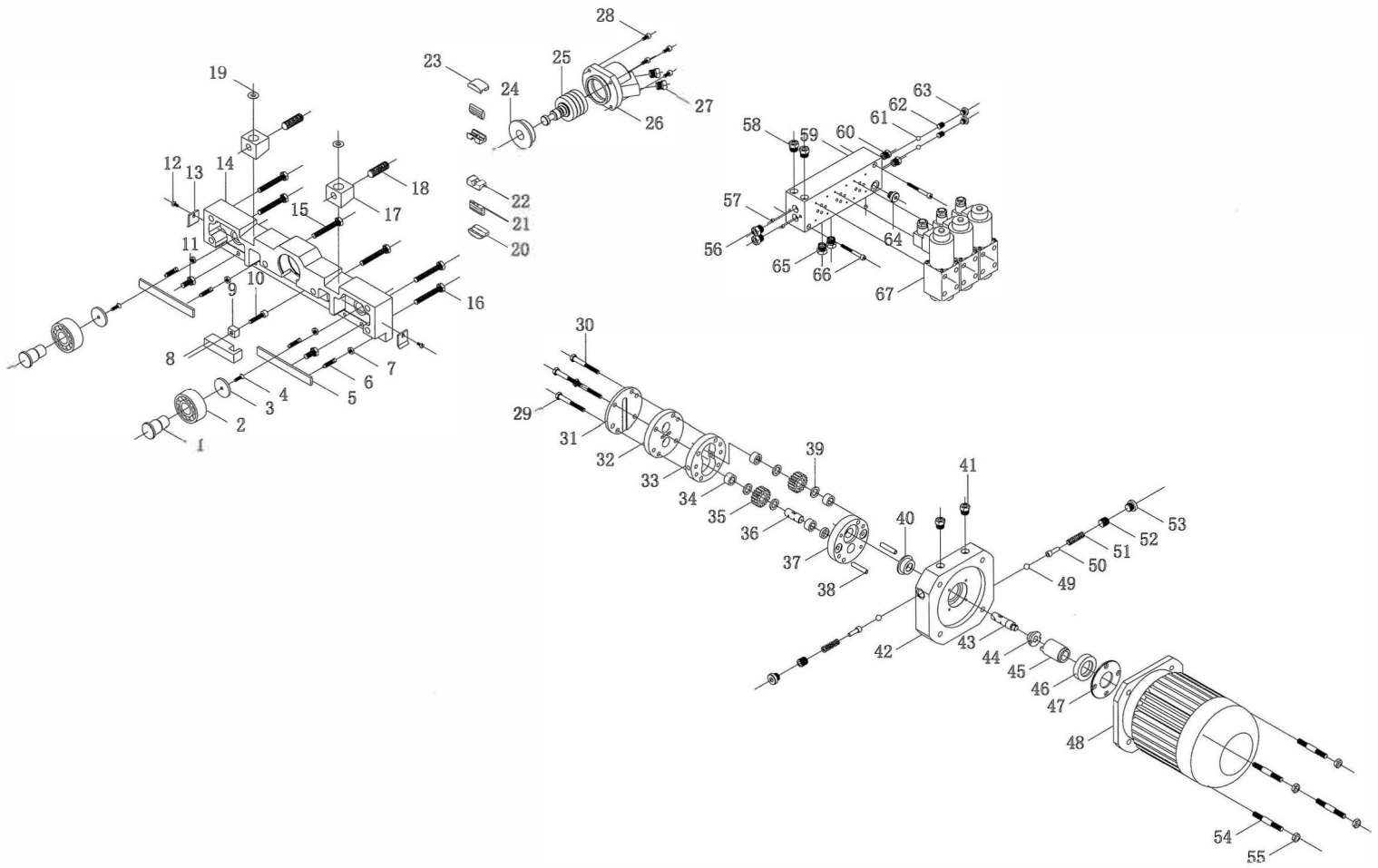
Index No.	Part No.	Description	Size	Qty.
35	JRD1600DRT138A	bearing block		1
	JRD1600DRT138B	O RING	20x2.65	1
36	JRD1600DRT139	Bearing	8104	1
37	JRD1600DRT140	Washer		1
38	JRD1600DRT141	Deep groove ball bearings	104	1
39	JRD1600DRT142	Washer		1
40	JRD1600DRT143	Skeleton lip seal	B28x47x7	1
41	JRD1600DRT144	Worm shaft		1
42	JRD1600DRT145A	Deep groove ball bearings	109	1
	JRD1600DRT145B	Circlip for haft	45	2
43	JRD1600DRT146	Spline bushing		1
44	JRD1600DRT147	Shaft		1
45	JRD1600DRT148	Washer		1
46	JRD1600DRT149	Deep groove ball bearings	205	1
47	JRD1600DRT150	distance sleeve		1
48	JRD1600DRT151	Deep groove ball bearings	205	1
49	JRD1600DRT152A	Cover		1
	JRD1600DRT152B	hexagonal socket head cascrew	M5x12	4
50	JRD1600DRT153	Gear		1
51	JRD1600DRT154	reduction gear box		1
52	JRD1600DRT155	Gear shaft		1
53	JRD1600DRT156A	bearing block		1
	JRD1600DRT156B	Circlip for hole	42	1
54	JRD1600DRT157	Deep groove ball bearings	105	1
55	JRD1600DRT158A	Gear		1
	JRD1600DRT158B	Circlip for haft	25	2
56	JRD1600DRT159	Bulkhead		1
57	JRD1600DRT160	Ball bearings with snap ring	50103	1
58	JRD1600DRT161	Gear shaft		1
59	JRD1600DRT162A	Gear		1
	JRD1600DRT162B	Key	6h9x6x32	1
60	JRD1600DRT163A	reduction gear box cover		1
	JRD1600DRT163B	Oil Plug	M12x1.5	1
61	JRD1600DRT164A	Gear		1
	JRD1600DRT164B	Key	8h9x7x32	1
	JRD1600DRT164C	Slotted tapered screw	M4x5	1
	JRD1600DRT164D	Slotted tapered screw	M4x10	1
62	JRD1600DRT165	Servo motor	130MAH06025BNA1	1
63	JRD1600DRT166A	arresting nut		1
	JRD1600DRT166B	Flat slotted set screws	M4x20	1
64	JRD1600DRT167	Handwheel		1
65	JRD1600DRT168A	Cover		1
	JRD1600DRT168B	hexagonal socket head cascrew	M6x16	4
	JRD1600DRT168C	Circlip for haft	26	1
66	JRD1600DRT169	Deep groove ball bearings	204	1
67	JRD1600DRT170	Oval handle sets	M12x40	1
68	JRD1600DRT171	Handle		1
69	JRD1600DRT172	Support sets		1
70	JRD1600DRT173	Oval handle sets	M12x40	1
71	JRD1600DRT174	Handle		1
72	JRD1600DRT175	Round nut with locking groove	BM30x1.5	1
73	JRD1600DRT176	Sleeve		1

Index No.	Part No.	Description	Size	Qty.
74	JRD1600DRT177	Steel Ball	15/32"	11
75	JRD1600DRT178	Push sleeve		1
76	JRD1600DRT179	Washer		1
77	JRD1600DRT180	Washer		1
78	JRD1600DRT181	Deep groove ball bearings	116	1
79	JRD1600DRT182	holding screw for handle	B-M6x25	2
80	JRD1600DRT183	Dial		1
81	JRD1600DRT184	Support sets		1
82	JRD1600DRT185	Tooth joint		1
83	JRD1600DRT186A	Tooth joint		1
	JRD1600DRT186B	cylindrical helical compression spring	4x40x35	1
84	JRD1600DRT187	Deep groove ball bearings	116	1
85	JRD1600DRT188	Worm wheel		1
86	JRD1600DRT189	Horizontal shaft		1
87	JRD1600DRT190	Washer		1
88	JRD1600DRT191	Deep groove ball bearings	110	1
89	JRD1600DRT192	Shaft		1
90	JRD1600DRT193	Sleeve		1
91	JRD1600DRT194	Deep groove ball bearings	106	1
92	JRD1600DRT195	Deep groove ball bearings	106	1
93	JRD1600DRT196	Gear		1
94	JRD1600DRT197	Sleeve		1
95	JRD1600DRT198A	Deep groove ball bearings	203	1
	JRD1600DRT198B	Circlip for hole	40	2
	JRD1600DRT198C	Circlip for haft	17	1
96	JRD1600DRT199	Gear		1
102	JRD1600DRT200	Oil Gage	(20)M27x1.5	2
103	JRD1600DRT201	Touch screen		1
104	JRD1600DRT202	Panel		1
105	JRD1600DRT203	Spindle box		1
106	JRD1600DRT204A	Oil Plug	M22x1.5	1
	JRD1600DRT204B	Washer	22	1
107	JRD1600DRT205	pressure washer		2
108	JRD1600DRT206A	Cover		2
	JRD1600DRT206B	O ring	95x3.1	2
109	JRD1600DRT207A	Fork		1
	JRD1600DRT207B	hexagonal socket head cascrew	M6x30	1
110	JRD1600DRT208A	Washer		1
	JRD1600DRT208B	O RING	18x1.8	1
	JRD1600DRT208C	Slotted cheese head screws	M5x12	3
111	JRD1600DRT209	Rack		1
112	JRD1600DRT210A	Positioning axis		1
	JRD1600DRT210B	Steel Ball	8	1
	JRD1600DRT210C	cylindrical helical compression spring	1.2x6x32	1
	JRD1600DRT210D	Flat slotted set screws	M10x12	1
	JRD1600DRT210E	Flat slotted set screws	M6x10	3
	JRD1600DRT210F	Slotted cheese head screws	M5x16	3
113	JRD1600DRT211	Oval handle sets	M10x32	1
114	JRD1600DRT212	Handle		1

Index No.	Part No.	Description	Size	Qty.
115	JRD1600DRT213A	Handle seat		1
	JRD1600DRT213B	Slotted tapered screw	M6x16	1
	JRD1600DRT213C	Slotted tapered screw	M5x12	1
	JRD1600DRT213D	Key	5h9x5x16	1
116	JRD1600DRT214	Indicator plate		1
117	JRD1600DRT215	Handle shaft		1
118	JRD1600DRT216	Washer for adjusting		1
119	JRD1600DRT217	Shift Gear		1
120	JRD1600DRT218	Washer		1
121	JRD1600DRT219	hexagonal socket head cascrew	M6x16	1
122	JRD1600DRT220	Oval handle sets	M8x25	1
123	JRD1600DRT221	Handle		1
124	JRD1600DRT222A	Lever		1
	JRD1600DRT222B	straight pin	5m6x24	2
125	JRD1600DRT223A	Handle seat		1
	JRD1600DRT223B	Circlip for hole	50	1
	JRD1600DRT223C	hexagonal socket head cascrew	M5x20	1
126	JRD1600DRT224A	Slotted shaft		1
	JRD1600DRT224B	cylindrical helical compression spring	2.5x28x48	1
127	JRD1600DRT225	Slotted cover		1
128	JRD1600DRT226A	Fork		1
	JRD1600DRT226B	Circlip for haft	15	1
	JRD1600DRT226C	Slotted tapered screw	M6x12	1
129	JRD1600DRT227	Deep groove ball bearings with snap ring		1
130	JRD1600DRT228	Spline shaft		1
131	JRD1600DRT229	Gear		1
132	JRD1600DRT230	Gear		1
133	JRD1600DRT231	Deep groove ball bearings	205	1
134	JRD1600DRT232	Cover		1
135	JRD1600DRT233A	Spindle box cover		1
	JRD1600DRT233B	hexagonal socket head cascrew	M8x35	8
136	JRD1600DRT234	Deep groove ball bearings with snap ring	50205	1
137	JRD1600DRT235A	Pump Gear		1
	JRD1600DRT235B	Key	4h9x4x22	1
138	JRD1600DRT236	Gear shaft		1
139	JRD1600DRT237	Deep groove ball bearings	108	1
140	JRD1600DRT238A	Cover		1
	JRD1600DRT238B	button head screw		4
141	JRD1600DRT239A	Oil Pump	SBRB-6	1
	JRD1600DRT239B	hexagonal socket head cascrew	M6x16	3
142	JRD1600DRT240A	Pump seat		1
	JRD1600DRT240B	O RING	55x3.1	1
143	JRD1600DRT241	Deep groove ball bearings	204	1
144	JRD1600DRT242A	Spline shaft		1
	JRD1600DRT242B	Circlip for haft	20	1
145	JRD1600DRT243	Ball bearings with snap ring	50204	1
146	JRD1600DRT244A	Pump Gear		1
	JRD1600DRT244B	Circlip for haft	20	1
147	JRD1600DRT245A	Motor	YUBP112M4-3.7kW	1
	JRD1600DRT245B	Hexagon head bolts	M14x35	4
	JRD1600DRT245C	Washer	14	4

Index No.	Part No.	Description	Size	Qty.
148	JRD1600DRT246	Chain	08B-87	1
149	JRD1600DRT247	Roller shaft		1
150	JRD1600DRT248	Roller		1
151	JRD1600DRT249	Washer		3
152	JRD1600DRT250	Roller shaft		1
153	JRD1600DRT251	Roller		1
154	JRD1600DRT252A	Washer		3
	JRD1600DRT252B	Flat slotted set screws	M5x12	2
155	JRD1600DRT253A	Counterweight		1
	JRD1600DRT253B	Fixing bolts		1
	JRD1600DRT253C	Chain lock		2
156	JRD1600DRT254A	Weight bracket		1
	JRD1600DRT254B	hexagonal socket head cascrew	M8x25	4
157	JRD1600DRT255A	Roller shaft		1
	JRD1600DRT255B	Circlip for haft	14	1
	JRD1600DRT255C	Slotted tapered screw	M5x16	1
158	JRD1600DRT256	Roller		1
159	JRD1600DRT257	Washer		1
160	JRD1600DRT258	Deep groove ball bearings	101	1
161	JRD1600DRT259	Inner tooth sleeve		1
162	JRD1600DRT260	Clutch (below)		1
163	JRD1600DRT261A	steel ball	10	4
	JRD1600DRT261B	set		1
164	JRD1600DRT262	Clutch (top)		1
165	JRD1600DRT263	Bearing	8106	1
166	JRD1600DRT264	Cylindrical helical compression spring	7x38x70	1
167	JRD1600DRT265	Nut		1
168	JRD1600DRT266	Nut		1
169	JRD1600DRT267	axis		1
170	JRD1600DRT268A	Spline sleeve		1
	JRD1600DRT268B	Cylindrical pin	5m6x30	2
171	JRD1600DRT269	axis		1
172	JRD1600DRT270A	Cover plate		2
	JRD1600DRT270B	Internal six angle round head screw	Zn.DM4x8	8
173	JRD1600DRT271	Pull block		1
174	JRD1600DRT272A	Fork		1
	JRD1600DRT272B	Slotted cone end screw	M6x16	1
	JRD1600DRT272C	Ordinary flat bond	5h9x5x30	1
175	JRD1600DRT273	Fork shaft		1
176	JRD1600DRT274A	set		1
	JRD1600DRT274B	Slotted cylindrical head screw	M4x16	4
177	JRD1600DRT275A	Handle seat		1
	JRD1600DRT275B	Slotted cone end screw	M6x16	1
	JRD1600DRT275C	Conical pin	5x50	1
178	JRD1600DRT276	Handle		1
179	JRD1600DRT277	Elliptical handle sleeve	M10x32	1

IV. Hydraulic pressure clamp

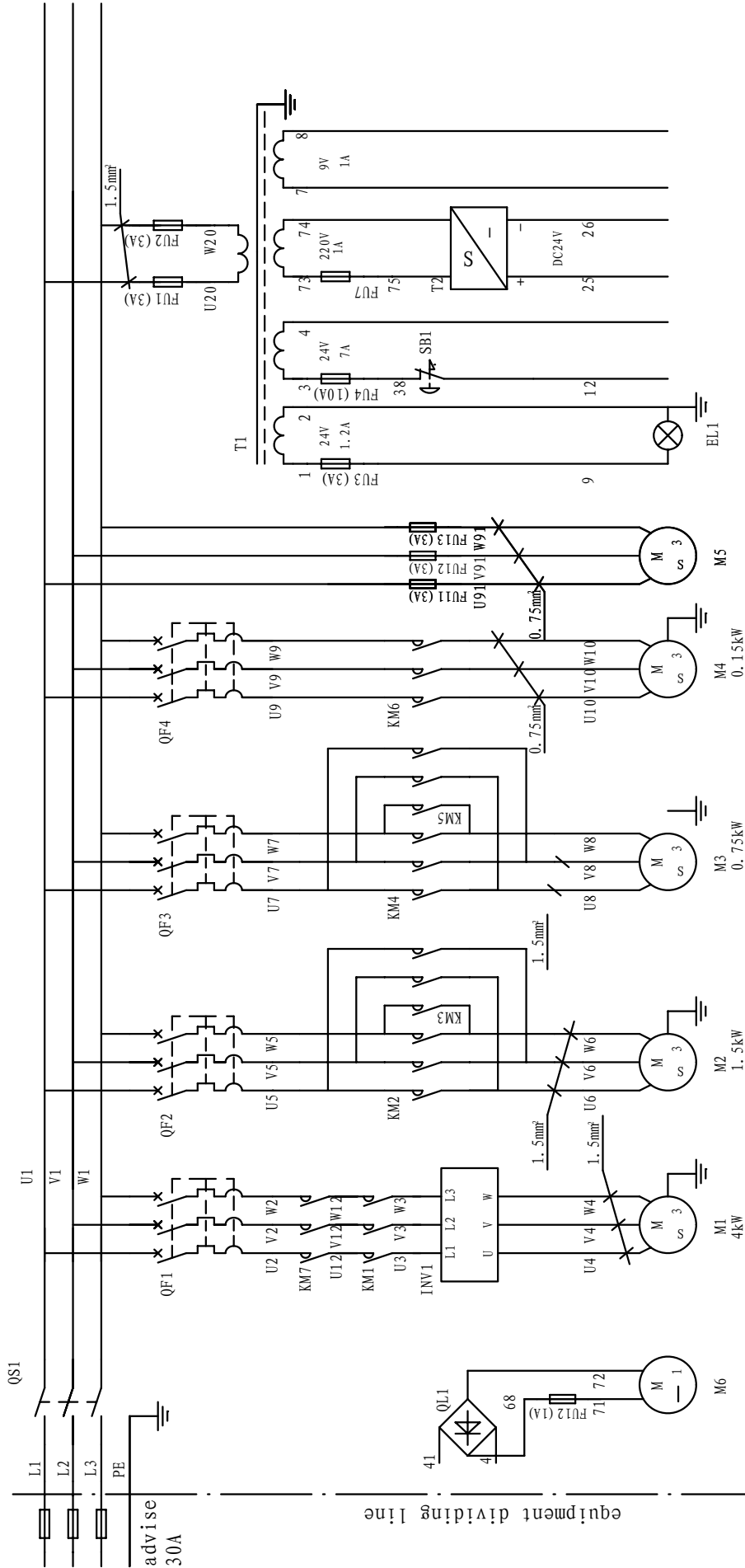


IV. Hydraulic pressure clamp

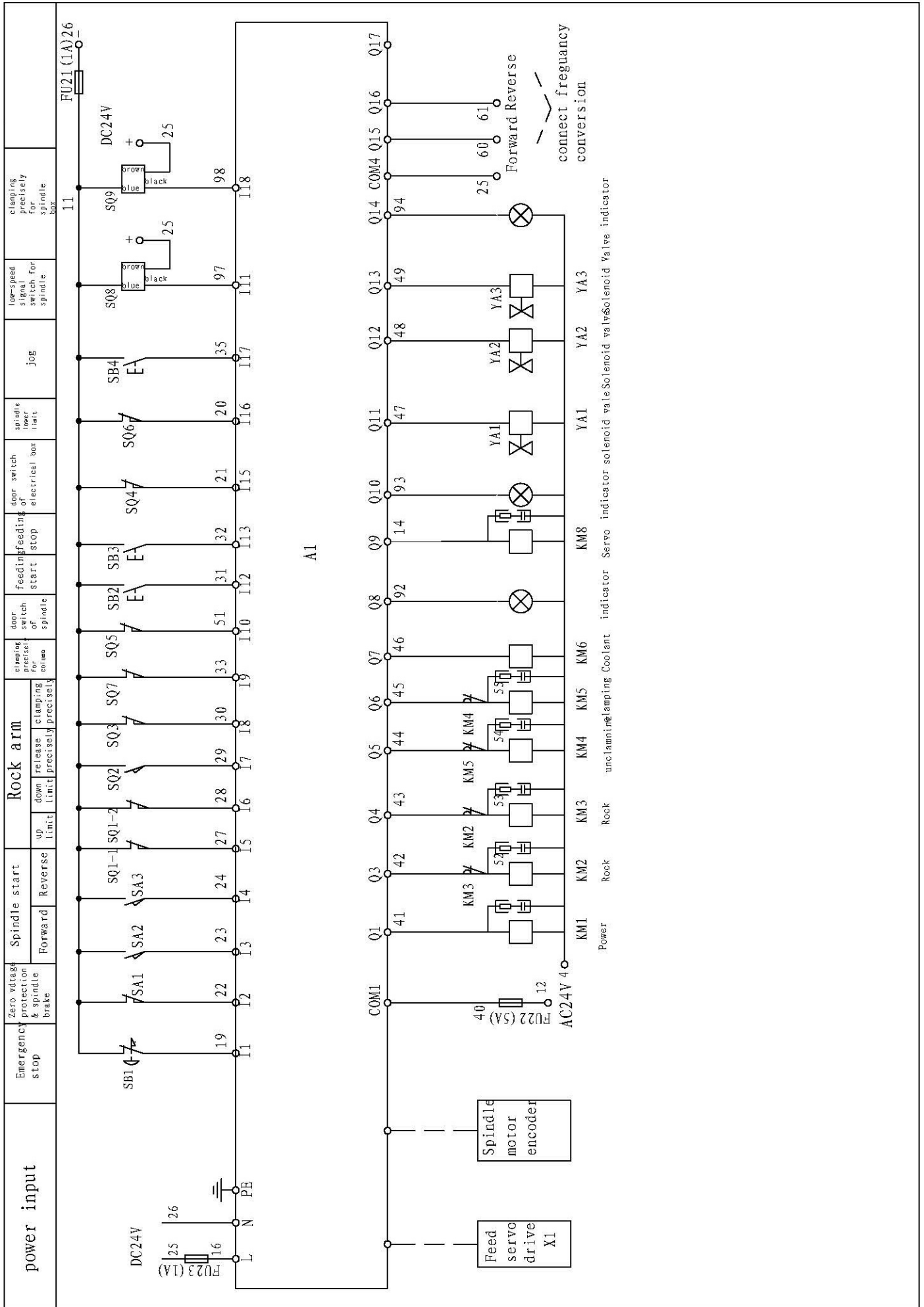
Index No.	Part No.	Description	Size	Qty.
1	JRD1600DRT278	Support shaft		2
2	JRD1600DRT279	Bearing	1605	2
3	JRD1600DRT280	Washer	B32	2
4	JRD1600DRT281	Screw	M6×16	2
5	JRD1600DRT282	Washer		2
6	JRD1600DRT283	Screw		4
7	JRD1600DRT284	Hexagon nut	M8×1	4
8	JRD1600DRT285	Pressing block		1
9	JRD1600DRT286	Tighting block		1
10	JRD1600DRT287	Hexagon socket screw	M8×35	1
11	JRD1600DRT288	Hexagon screw	M10×20	2
12	JRD1600DRT289	Screw	M5×10	2
13	JRD1600DRT290	Protecting board		2
14	JRD1600DRT291	Braking shelf		1
15	JRD1600DRT292	Hexagon screw	M10×60	2
16	JRD1600DRT293	Hexagon screw	M10×65	4
17	JRD1600DRT294	Adjusting wedge		2
18	JRD1600DRT295	Hexagon socket screw	M16×50	2
19	JRD1600DRT296	Washer	10	2
20	JRD1600DRT297	Pressing bolck		1
21	JRD1600DRT298	Lozenge block		2
22	JRD1600DRT299	Block		2
23	JRD1600DRT300	Bock		1
24	JRD1600DRT301	Sleeve		1
25	JRD1600DRT302	Piston		1
26	JRD1600DRT303	Clamp oil cylinder		1
27	JRD1600DRT304	Pipe joint		1
28	JRD1600DRT305	Hexagon socket screw	M6×16	1
29	JRD1600DRT306	Hexagon screw	M8×65	2
30	JRD1600DRT307	Hexagon screw	M8×60	2
31	JRD1600DRT308	Oil pump device		1
32	JRD1600DRT309	Oil pump device		1
33	JRD1600DRT310	Oil pump device		1
34	JRD1600DRT311	Bearing	37941/15	1
35	JRD1600DRT312	Gear		2
36	JRD1600DRT313	Shaft		1
37	JRD1600DRT314	Oil pump device		1
38	JRD1600DRT315	Pin	8m6×40	1
39	JRD1600DRT316	Washer		1
40	JRD1600DRT317	Sleeve		1
41	JRD1600DRT318	Pipe joint		1
42	JRD1600DRT319	Oil pump seat		1
43	JRD1600DRT320	Shaft		1
44	JRD1600DRT321	Sleeve		1
45	JRD1600DRT322	Sleeve		1
46	JRD1600DRT323	Seal ring	B32×52×12	1
47	JRD1600DRT324	Cover		1
48	JRD1600DRT103	Oil pump motor	0.75kW	1
49	JRD1600DRT325	Steel ball	11	2

Index No.	Part No.	Description	Size	Qty.
50	JRD1600DRT326	Shaft		2
51	JRD1600DRT327	Spring	2×10×45	2
52	JRD1600DRT328	Hexagon socket screw		2
53	JRD1600DRT329	Hexagon plug	M16×1.5	1
54	JRD1600DRT330	Double end screw	M10×60	1
55	JRD1600DRT331	Hexagon nut	M10	1
56	JRD1600DRT332	Pipe joint		2
57	JRD1600DRT333	Plug	6	3
58	JRD1600DRT334	Pipe joint		2
59	JRD1600DRT335	Connection plate		1
60	JRD1600DRT336	Pipe joint		2
61	JRD1600DRT337	Steel ball	8	2
62	JRD1600DRT338	Hexagon socket screw		2
63	JRD1600DRT339	Inner hexagonal plug	M10×1	2
64	JRD1600DRT340	Inner hexagonal plug	M14×1.5	1
65	JRD1600DRT341	Pipe joint		2
66	JRD1600DRT342	Hexagon socket screw	M6×55	2
67	JRD1600DRT343	ELECTROMAGNETIC value	24FD20-6B(24V)	3

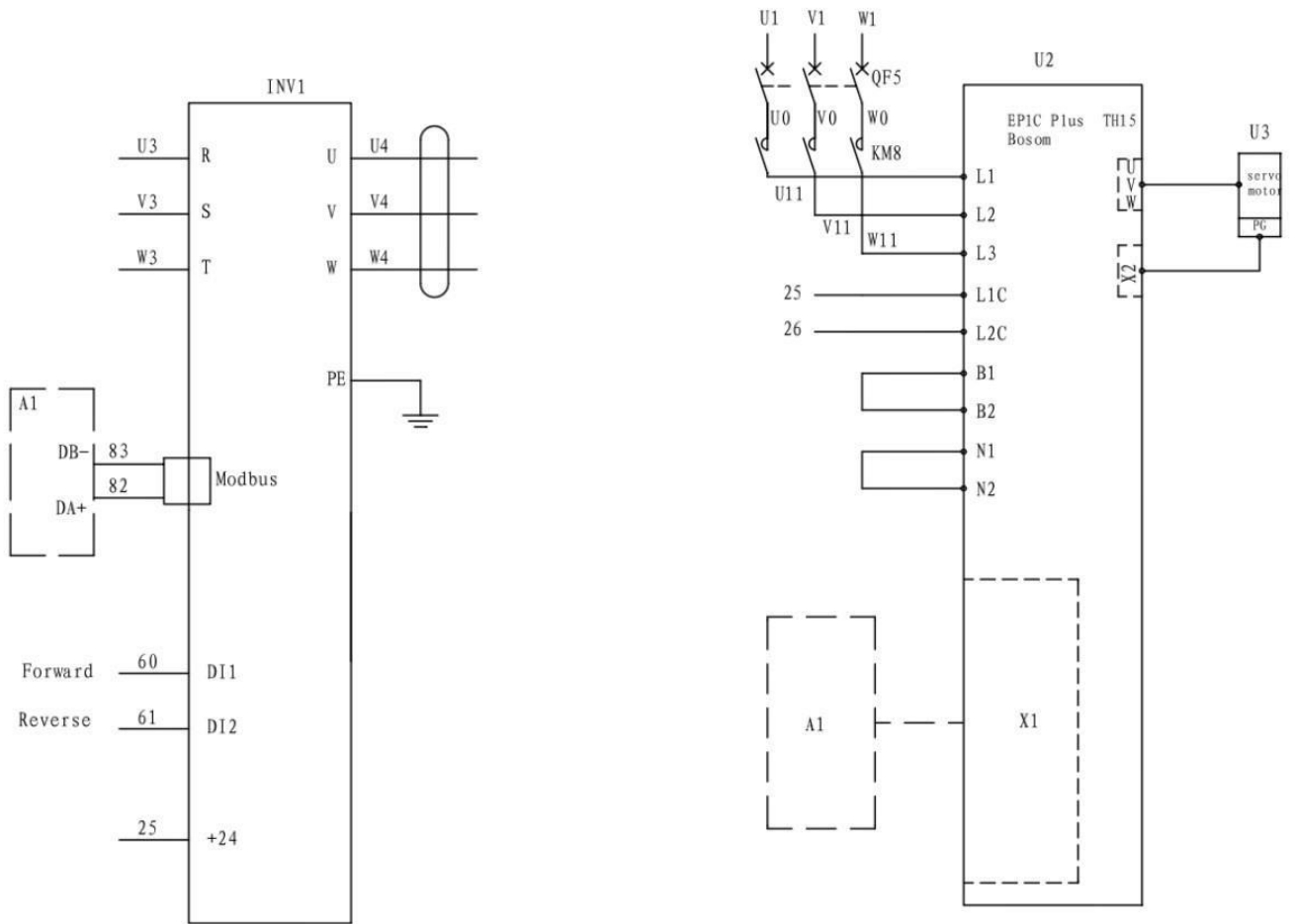
V. Electrical Schematic



V. Electrical Schematic



V. Electrical Schematic



V. Electrical Schematic Parts List

Index No.	Part No.	Description	Size	Qty.
QF1	JRD1600DRTE001	Breaker	GV2-ME16	1
QF2	JRD1600DRTE002	Breaker	GV2-ME10	1
QF3	JRD1600DRTE003	Breaker	GV2-ME07	1
QF4	JRD1600DRTE004	Breaker	GV2-ME03	1
QF5	JRD1600DRTE005	Breaker	GV2-ME16	1
QS1	JRD1600DRTE006	Instruction switch	JCH13 -20	1
SB1	JRD1600DRTE007	Emergency stop button	LA42J-02/R	1
SA1	JRD1600DRTE008	Limit switch	LXP1(3SE3)020-0A	1
SA2	JRD1600DRTE008	Limit switch	LXP1(3SE3)020-0A	1
SA3	JRD1600DRTE008	Limit switch	LXP1(3SE3)020-0A	1
SB2	JRD1600DRTE009	Start button	GQ22-11E/G/24V/S	1
SB3	JRD1600DRTE010	Stop button	GQ22-11E/R/24V/S	1
SB4	JRD1600DRTE011	Jogbutton	GQ22-11E/W/24V/S	1
SQ1-1	JRD1600DRTE012	Limit switch	SND6166-SP-C-001	1
SQ1-2	JRD1600DRTE012	Limit switch	SND6166-SP-C-001	1
SQ2	JRD1600DRTE013	Limit switch	Z-15GD/F	1
SQ3	JRD1600DRTE013	Limit switch	Z-15GD/F	1
SQ4	JRD1600DRTE014	Door switch	JWM6-11	1
SQ5	JRD1600DRTE015	Emergency stop switch	LXP1-020-0A	1
SQ6	JRD1600DRTE016	Limit switch	XCKN2127P20C	1
SQ7	JRD1600DRTE013	Limit switch	Z-15GD/F	1
SQ8	JRD1600DRTE017	switch	TL-Q5MC1	1
SQ9	JRD1600DRTE018	switch	E2B-M12KS04-WZ-C1	1
KM1-5	JRD1600DRTE019	Contactactor	LC1E1201B5N(AC24V)	6
KM6	JRD1600DRTE020	Contactactor	LC1 D0901 (AC24V)	1
A1	JRD1600DRTE021	Control panel	MR-3060-A2	1
HL1	JRD1600DRTE022	Signal lamp	AD17-16 AC24V	1
EL1	JRD1600DRTE023	Illuminator	25W AC24V	1
T1	JRD1600DRTE024	Transformer	JBK5-250TH	1
QL1	JRD1600DRTE025	Bridge rectifier	QL5A200V	1
INV1	JRD1600DRTE026	Frequency converter	ATV320U40N4C	1
U2	JRD1600DRTE027	Servo system	EP1C P-TH15BOSOM	1
U3	JRD1600DRTE028	Servo motor	130MAL06025BNA1	1
M4	JRD1600DRTE029	Fan	AD0824MB-A70GL	1
	JRD1600DRTE030	Fan mesh enclosure	80 x 80 filter cover	1
SQ10	JRD1600DRTE031	switch	E2B-M12KS04-WZ-C1	1

VI. Accessories Parts List

Index No.	Part No.	Description	Size	Qty.
1	JRD1600DRTAC01	Box type working table	51001	1
2	JRD1600DRTAC02	Drill chuck	B16 1-13mm	1
3	JRD1600DRTAC03	Connecting rod for drill chuck	MT4/B16	1
4	JRD1600DRTAC04	Intermediate taper adaptor sleeve	MT3/MT2	1
5	JRD1600DRTAC05	Intermediate taper adaptor sleeve	MT4/MT3	1
6	JRD1600DRTAC06	Intermediate taper adaptor sleeve	MT5/MT4	1
7	JRD1600DRTAC07	Wedge for taper adaptor sleeve	3mm	1
8	JRD1600DRTAC08	Foundation bolt	M24x500mm	6
9	JRD1600DRTAC09	Bolts for T slot	M24x120mm	4
10	JRD1600DRTAC10	Hexagon bolts	M24	10
11	JRD1600DRTAC11	Washes	24	8
12	JRD1600DRTAC12	Tool disassemble spanner	52001	1
13	JRD1600DRTAC13	Fuse	1A,3A,5A,10A	Each 2
14	JRD1600DRTAC14	Maintenance holder		2
15	JRD1600DRTAC15	Inclinable working table	600x400mm	1